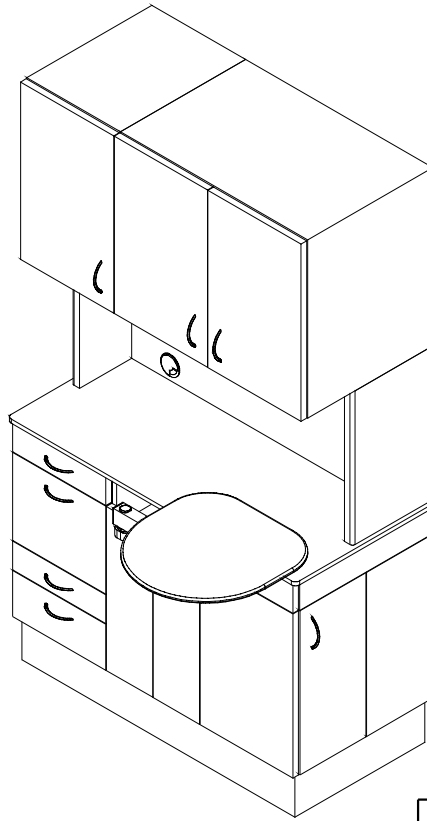
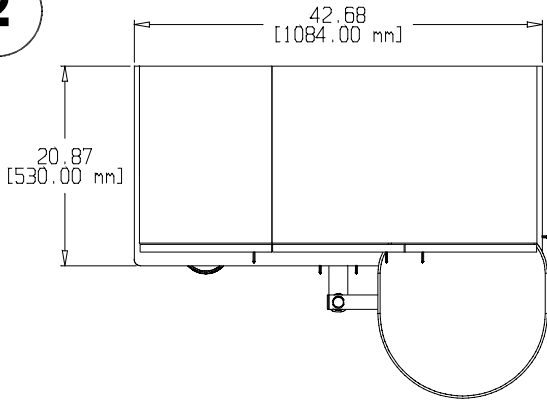


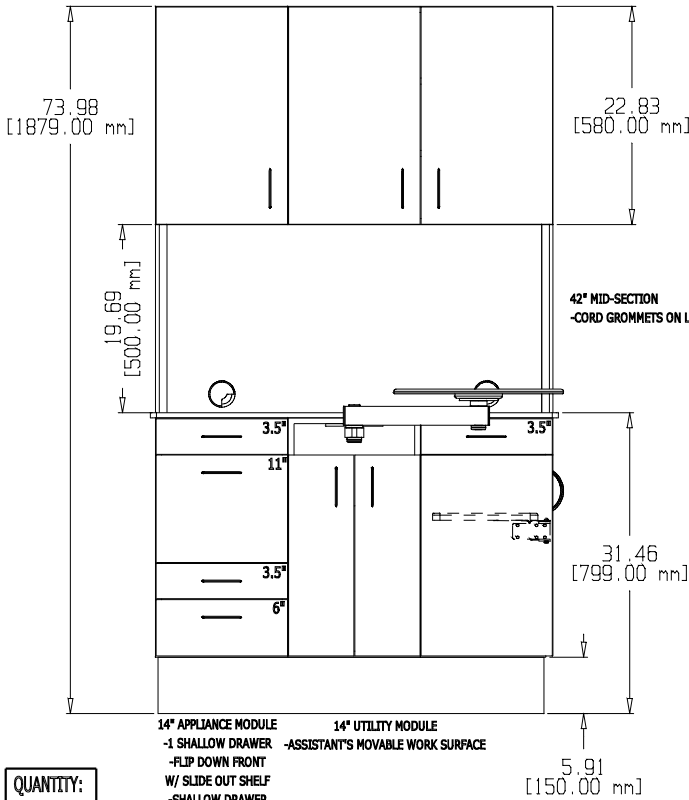
RETAIL PRICE AS SHOWN: \$5,810.00

2

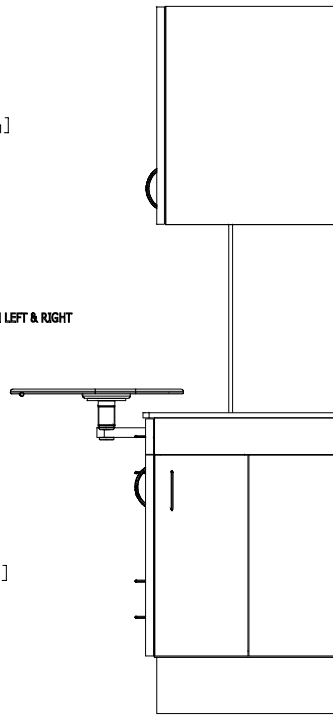


REV	DESCRIPTION	DRW BY	DATE
A	FIRST RELEASE	CAG	061918

42" UPPER STORAGE MODULE  
 -NON PASS THROUGH/UNFINISHED BACK  
 -(1) 14" ADJUSTABLE SHELF IN SINGLE-DOOR STORAGE  
 -(2) 28" ADJUSTABLE SHELVES IN TWO-DOOR STORAGE



42" MID-SECTION  
 -CORD GROMMETS ON LEFT & RIGHT



14" SIDE ACCESS ASSISTANT'S MODULE  
 -1 SHALLOW DRAWER (FACING FORWARD)  
 -BI-FOLD DOOR WITH 1 SWING-OUT APPLIANCE SHELF

14" APPLIANCE MODULE  
 -1 SHALLOW DRAWER  
 -FLIP DOWN FRONT  
 W/ SLIDE OUT SHELF  
 -SHALLOW DRAWER  
 -MEDIUM DRAWER

14" UTILITY MODULE  
 -ASSISTANT'S MOVABLE WORK SURFACE

QUANTITY:

1

C-SERIES TREATMENT CENTER OPTIONS	\$
HD LAMINATE COUNTERTOP	+0
CORIAN SOLID SURFACE COUNTERTOP (1/2" "THIN")-GROUP A COLORS <b>A</b>	Included
CORIAN SOLID SURFACE COUNTERTOP (1/2" "THIN")-GROUP-B COLORS <b>B</b>	+240
CORIAN SOLID SURFACE COUNTERTOP (1/2" "THIN")-GROUP-C COLORS <b>C</b>	+420
CORIAN SOLID SURFACE COUNTERTOP (1/2" "THIN")-GROUP-D COLORS <b>D</b>	+660
CORIAN SOLID SURFACE COUNTERTOP (1-1/8" "THICK")-GROUP A COLORS <b>A</b>	+480
CORIAN SOLID SURFACE COUNTERTOP (1-1/8" "THICK")-GROUP B COLORS <b>B</b>	+660
CORIAN SOLID SURFACE COUNTERTOP (1-1/8" "THICK")-GROUP C COLORS <b>C</b>	+840
CORIAN SOLID SURFACE COUNTERTOP (1-1/8" "THICK")-GROUP D COLORS <b>D</b>	+1,080
PASS-THRU FINISHED BACK	+710
LED TASK LIGHTING	+155 (ea)
GLOVE DISPENSERS	+105 (ea)
PLEXIGLAS WINDOWS	+110 (ea)
ANALGESIA BRACKET - POST MOUNT	+265
ANALGESIA BRACKET - FLUSH MOUNT	+185
SIDE ACCESS CPU-UPPER	+150
CENTER CPU STORAGE-UPPER	+150
TRACK MOUNTED MONITOR ARM	+840
ADD PATIENT WATER/Q.D.'S/ MASTER REGULATORS/MASTER SWITCH	+910

**BIOTEC** 652 E. MAIN AVE.  
 ZEELAND, MI. 49464  
 (616) 772-2133  
 FAX (616) 772-4320

This drawing is the sole property of Royal Dental and remains so until an agreement is made for the sale of products shown.

DEALER: PRS  
 FOR: PRS  
 UNIT TYPE: C2125  
 QUOTE/DRAWING NUMBER: 9201-02

CUSTOMER SIGNATURE: X  
 PRODUCTION NUMBER:   
 PREPARED BY: BIOTEC