

Royal®

Patient Chair for the Oral Surgeon

Royal RS1 Chair

Features:

- Adjustable/Pivoting IV armrest
- Body and arm straps
- Swing-up/down armrests
- Arm support slings
- Oral surgery magnetic headrest
- Extendable headrest
- Solid-state electronics
- 6-Way foot control
- Automatic return
- Automatic position
- Adjustable accessory rails on both sides of back
- Accessory rails on both sides of seat
- Replaceable upholstery
- Easy-care upholstery



RS1



Modified Trendelenburg Position



Adjustable IV Armrest



Oral Surgery Magnetic
Extendable Headrest
with Armrests



Foot Switch for Base
and Backrest Operation



Backrest
Accessory Rails

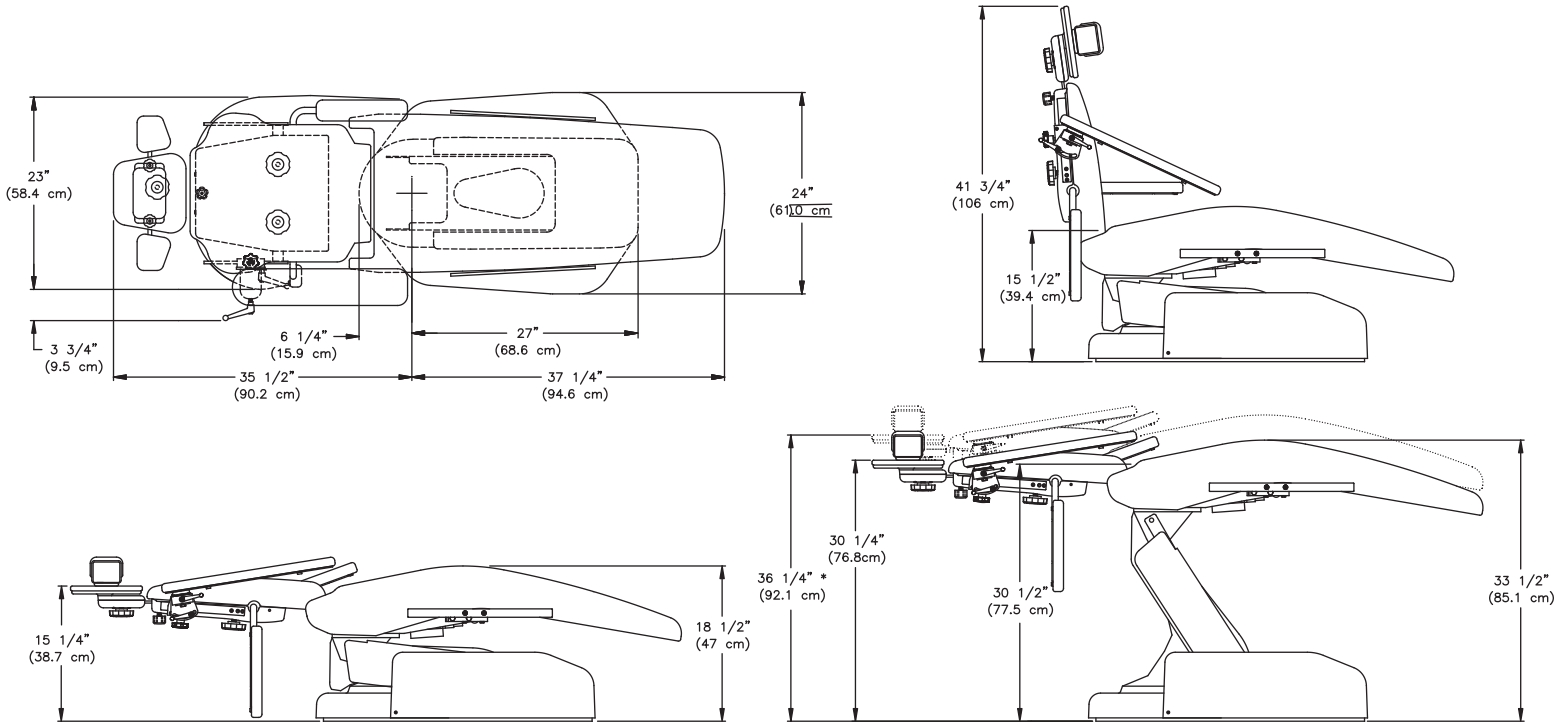


Seat Accessory Rails

ROYAL
DENTAL GROUP
www.royaldentalgroup.com

Royal® RS1 Oral Surgery Chair

Dimensions for the RS1 Model



The Royal Dental Group is comprised of three companies with over 90 years of combined experience, providing quality equipment to the dental industry. Working as a team, the Royal Dental Group designs and manufactures high quality, ergonomic equipment integrating the latest in technology. Royal Dental Group products are available in a variety of price ranges and have a solid reputation of providing years of reliable service to the dental professional.

BIOTEC



Proma



Royal®



ROYAL
DENTAL GROUP
www.royaldentalgroup.com