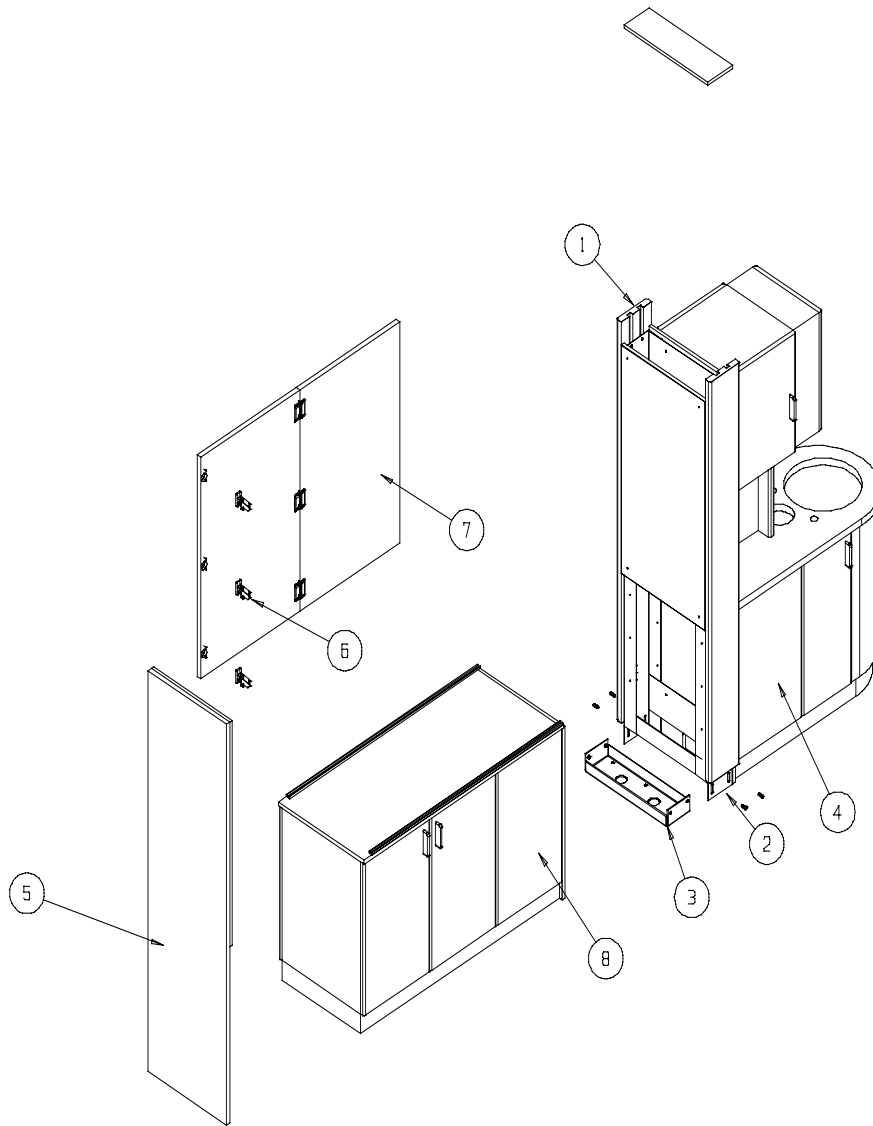


Tools Required:

Rubber mallet, bubble level, flat pry bar, socket set, 1/4" nut driver or socket.



Instructions

1. Remove stiles (1) on each side of the the x-ray wall by gently prying up from the botton with pry bar. Use care to not damage stiles with bar. Set stiles aside.
2. Remove the four #18 x 5/16" socket head bolts from botton of the x-ray wall frame. (2) Two on each side.
3. Remove mounting plate from x-ray wall (3) and place it in desired location. Attach the mounting plate to the floor securely using the provided hardward packet.
4. Move the head end of the divider (4) to the mounting plate and slide into position. Replace the four #18 x 5/16" socket bolts into the x-ray wall frame. Be sure to keep bolts loose at this time.
5. Attach hinge end panel (5) to the lower section of the toe end, using the six #10 x 1 1/4" flathead screws. You must bolt them from the inside of the lower section. Holes are pre-drilled.
6. Install hinges onto doors (6) and hinge end panel.
7. Install doors (7).
8. Move toe end section to the head end. (8, 4).
9. Attach toe end section and head end section together using the six #10 x 2" flathead sheet metal screws provided. Be sure to use the pre-drilled holes inside lower section of the unit.
10. Level unit left to right and front to back. Adjust leg leveler blocks as needed using 1/4" nut driver or socket.
11. Tighten the four #18 x 5/16" socket head bolts securely. (2)
12. Reattach stiles onto x-ray wall frame. You may need to lightly tap the top of the styles with the rubber mallet to get them in place.

REV	ECN	DESCRIPTION	DR	DATE
A	1322	PRODUCTION RELEASE	NWP	121102
NAME INSTALLATION INSTRUCTIONS, DC4-530				
MATERIAL		FINISH		
NOTED		NONE		
TOLERANCES UNLESS OTHERWISE SPECIFIED:				
FRACTIONS +/- 1/64		ENGLISH		METRIC
ANGLES +/- 30'		.XXX +/- .005	.XX +/- 0.130	
		.XX +/- .020	.X +/- 0.5	
		.X +/- .040	.X +/- 1.0	
THE INFORMATION CONTAINED HEREIN IS CLASSIFIED "CONFIDENTIAL." IT IS THE SOLE PROPERTY OF BIOTEC INC. AND ANY USE HEREOF AND/OR REPRODUCTION THEREOF IS EXPRESSLY PROHIBITED WITHOUT THE WRITTEN CONSENT OF BIOTEC INC.				
<b>BIOTEC</b>		652 E. MAIN AVE. ZEELAND, MI 49464 (616) 772 2133 FAX (616) 772 4320		
CAD PART FILE		DETAILS		
DRAWN BY	DATE	DRAWING NO.		
NWP	121102	35527		
APP'D	SCALE			
	NTS			