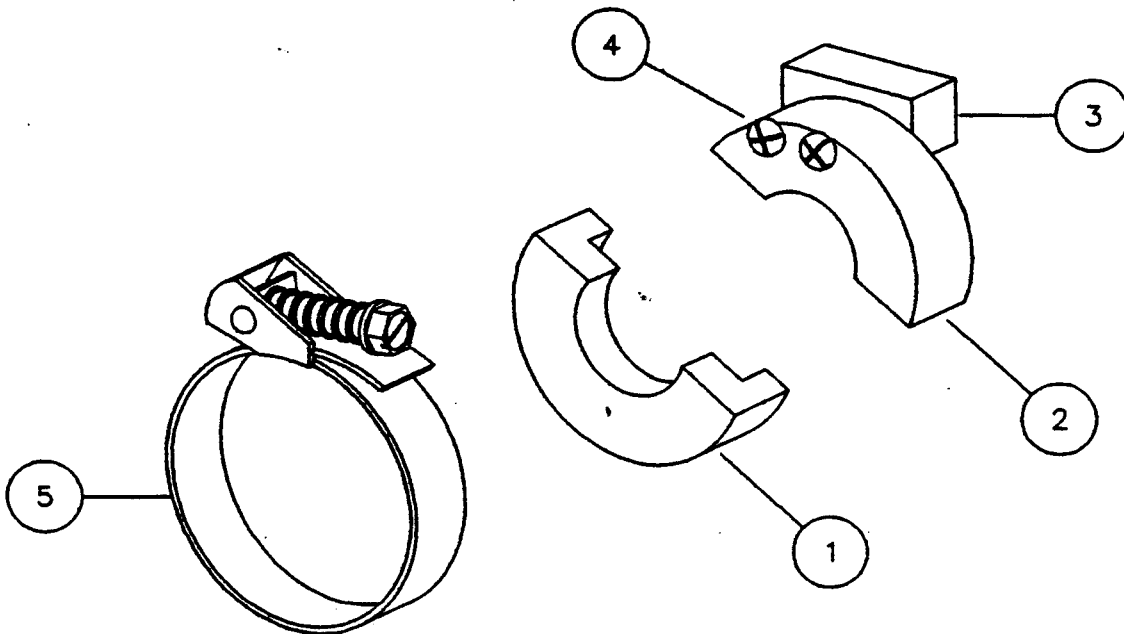


Introduction

This Base Brake Kit will improve the performance of your Royal Dental Chair by eliminating chair coasting. The installation procedure will take roughly 15 minutes to complete and requires only a minimum of tools.

Base Brake Kit Contents

	Qty	Description	Item	P/N
	1	Drive Screw Brake Assembly		
<input type="checkbox"/>	1	Collar Brake - Lower	①	1080
<input type="checkbox"/>	1	Collar Brake - Upper	②	1080
<input type="checkbox"/>	1	Brake Retainer Block	③	1081
<input type="checkbox"/>	2	6-32 x 1" Pan Head Screw	④	3106
<input type="checkbox"/>	1	Adjustable Clamp	⑤	3105



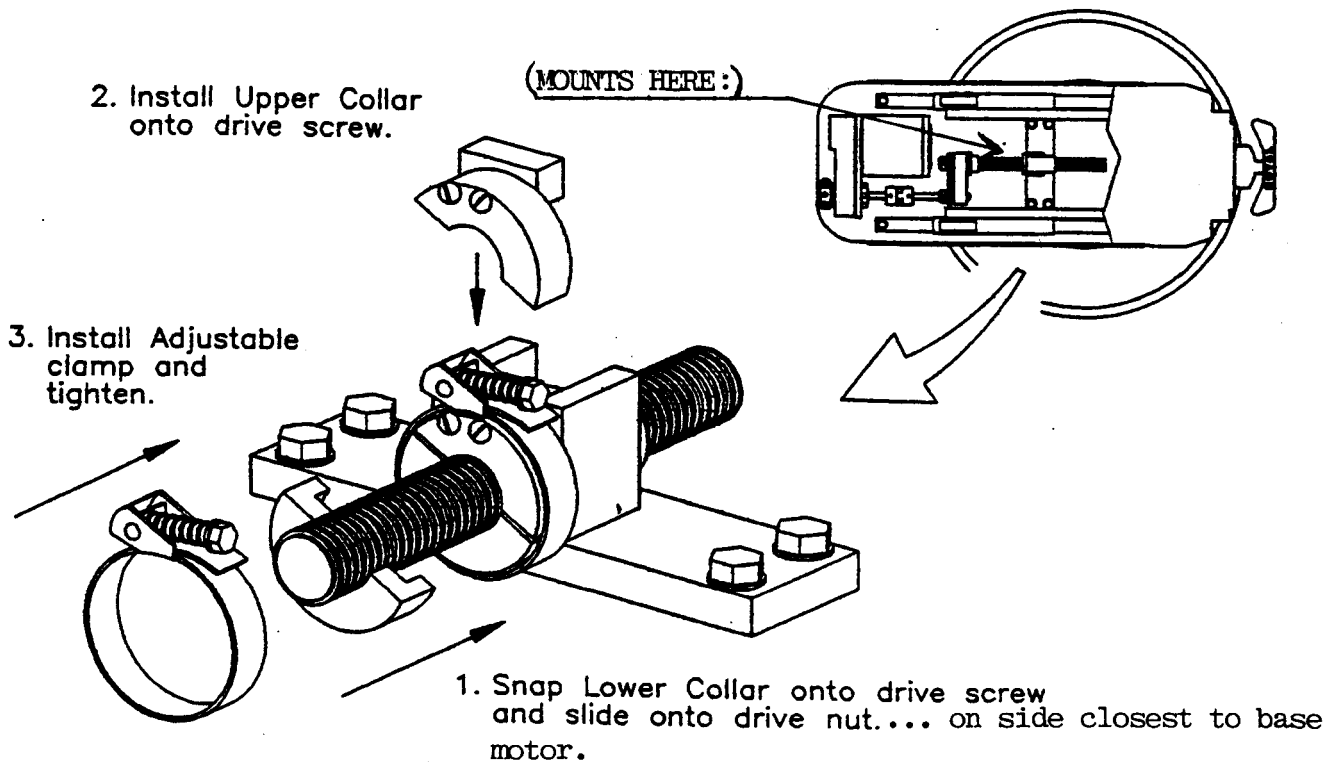
Required Tools

- ◇ 1 Phillips Screwdriver
- ◇ 1 Slotted Screwdriver

Installation Procedures

- A** Raise Chair to full up position
- B** Disconnect power supply to chair
- C** Remove base shrouds
 - Forward base shroud - 4 screws
 - Rear base shroud - 2 screws
- D** Install Drive Screw Brake Assembly - *see diagram*
 - Snap Lower Collar Brake onto the drive screw and slide toward drive nut, on base motor side.
 - Install Upper Collar Brake onto the drive screw, aligning the Brake Retainer Block with the Drive Assembly Yoke.
 - Install the Adjustable Clamp around the Upper and Lower Collar Brakes as shown.
- E** Adjust Braking Tension
 - Tighten clamp screw to remove all slack from band.
 - Tighten clamp screw an additional 1/4 turn to set proper tension.

Note - DO NOT OVERTIGHTEN!



- F** Reinstall base shrouds
 - Rear base shroud - 2 screws
 - Forward base shroud - 4 screws
- G** Reconnect power supply to chair.
- H** Test base operation and lifting capacity.
- ⇒ Retrofit installation is complete.