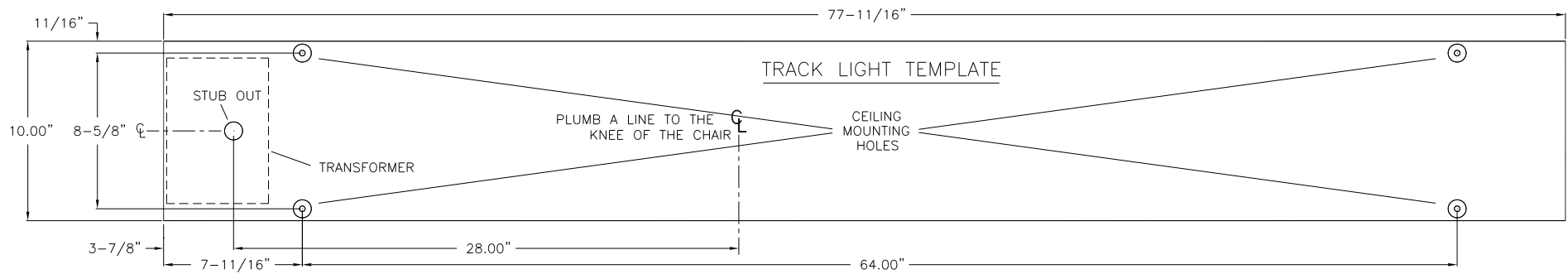
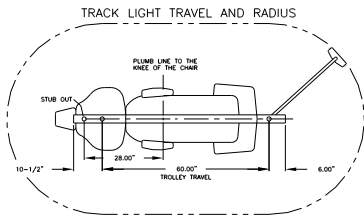


REVISIONS

REV	DESCRIPTION	BY	DATE	APP
-----	-------------	----	------	-----




• IMPORTANT: TRANSFORMER MUST BE POSITIONED ABOVE THE HEAD OF THE DENTAL CHAIR.

• ALLOW AT LEAST 12" FROM THE END OF THE TRACK OPPOSITE THE TRANSFORMER TO ANY WALL OR OBSTRUCTION.

• **IMPORTANT NOTE BEFORE INSTALLING TRACK LIGHT!**  
 IN THE CASE OF REPLACING A PELTON & CRANE TRACK LIGHT WITH A PROMA TRACK LIGHT, DO NOT USE EXISTING MOUNTING HOLES. THE PROMA TRACK LIGHT SHOULD BE MOUNTED 8" FROM THE EXISTING MOUNTED HOLES TOWARD THE TOE OF THE CHAIR. THIS PLACES THE NEW STUB OUT 11-3/4" FROM THE EXISTING STUB OUT. IN THE CASE OF REPLACING AN ADEC TRACK WITH A PROMA TRACK, USE EXISTING MOUNTING HOLES FOR TRACK. THE STUB OUT LOCATION WILL MOVE 4-3/4" FROM THE EXISTING STUB OUT.

NOTES: UNLESS NOTED

ACAD: 9050453

DRAWN: S.BECERRA	DATE: 05 23 96	MAT'L: XXXX	MAT'L P/N: XXX
CHECKED:	DATE:	FINISH: NONE	 730 KINGSHILL PL CARSON, CA 90746 310 327 0035
APPROVED: G. DELGADILLO	DATE: 05 23 96	HEAT TREAT: NONE	
UNLESS NOTED: - BREAK SHARP EDGES .005 - .010 - MACHINED SURFACES 125 - DIMENSIONS IN INCHES - TOLERANCES		DECIMALS: .X = ±.025, .XX = ±.015, .XXX = ±.008 FRACTIONS: + 1/64 ANGLES: + 1/2°	
INFORMATION HEREON IS THE CONFIDENTIAL PROPERTY OF PROMA. IT MAY NOT BE USED OR DISCLOSED WITHOUT PRIOR WRITTEN CONSENT.		TITLE: TEMPLATE TRACK LIGHT PROMA	
NEXT ASSY: XXXX	REQD: ONE	SCALE: 1 / 1	DWG NO: 9050453 SIZE: B PAGE: 1 OF 1 REV: A